

# PFAFF®

ambition 1.0  
ambition essential  
quilt ambition 2.0

Ersatzteile-Liste  
List of spare parts  
Liste des pièces détachées  
Catalogo pezzi staccati  
Lista de piezas de repuesto



Please note that on disposal, this product must be safely recycled in accordance with relevant National legislation relating to electrical/electronic products. If in doubt please contact your retailer for guidance.



Bitte beachten Sie, dass hinsichtlich der Entsorgung dieses Produkts, vorschriftsmäßig entsprechend der gültigen nationalen Gesetzgebung für elektrische/elektronische Produkte, recycelt werden muss. Bei Zweifel setzen Sie sich bitte mit Ihrem Fachhändler in Verbindung.



Veuillez noter qu'en cas de destruction, ce produit doit bénéficier d'un recyclage sécurisé, conforme à la législation nationale applicable aux produits électriques/électroniques. En cas de doute, veuillez contacter votre distributeur agréé.

- All casted parts within our products are marked with name of material if allowed by size.
- All molded plastic parts within our products are marked with name of material if allowed by size.

Nicht nummerierte Teile im Katalog werden nicht geliefert.

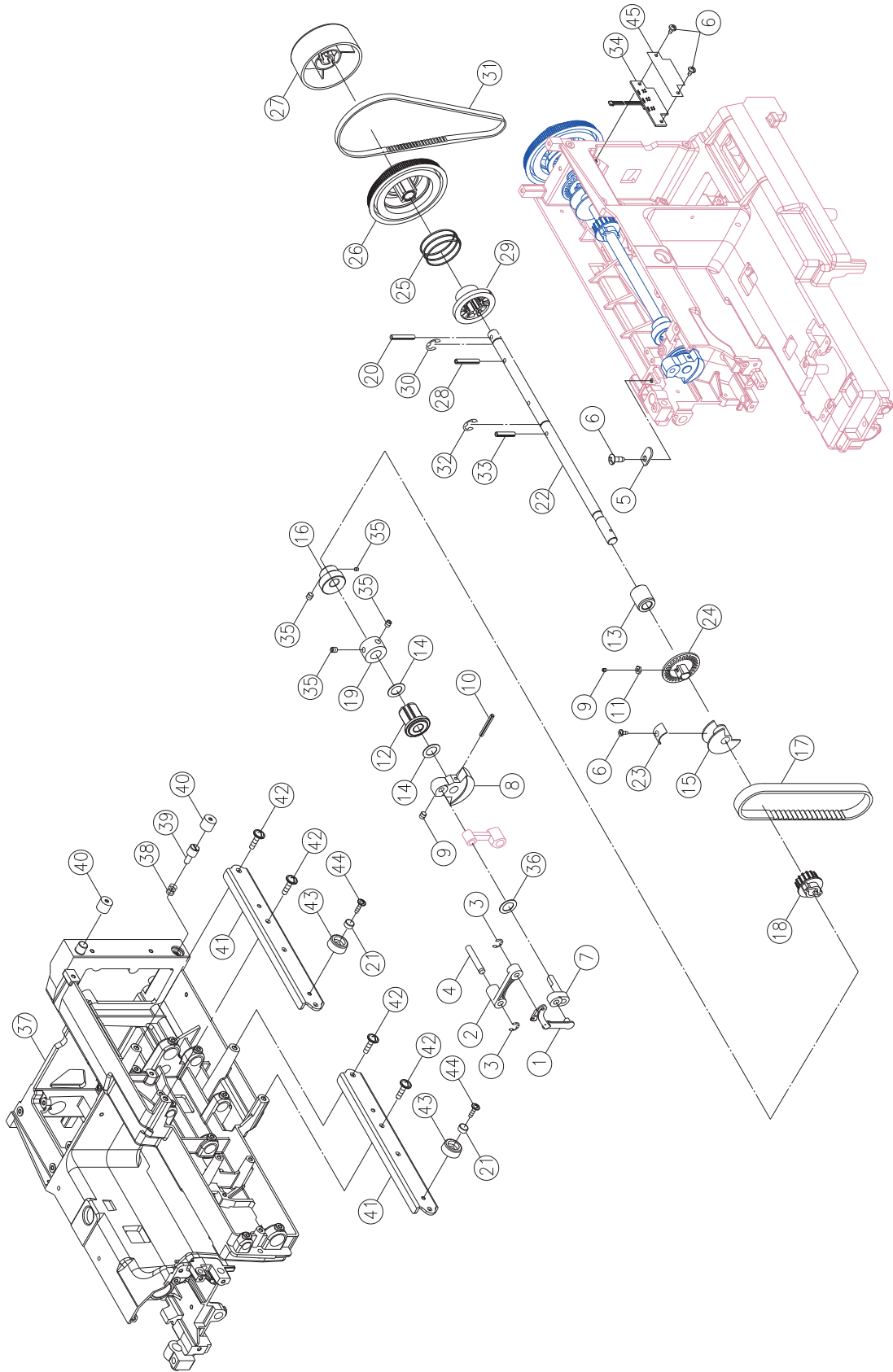
The parts mentioned without number in the parts list are not available.

Les pièces qui ne sont pas numérotées dans la liste de pièces détachées ne peuvent être livrées.

Pezzi non catalogati non sono disponibili.

Las piezas de repuesto sin número en esta lista no se entregarán.

A



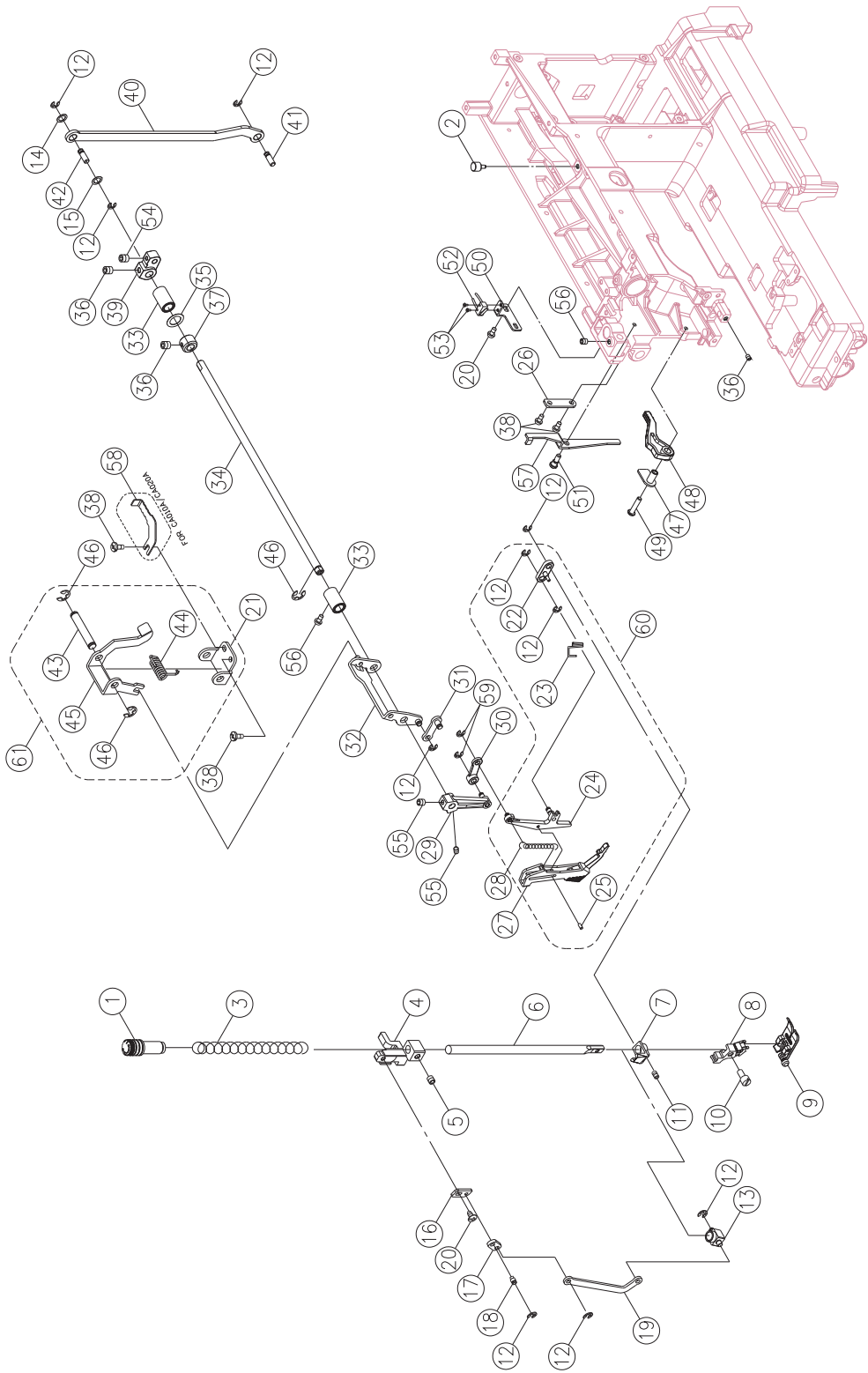
PFAFF Ambition 1.0 Quiltambition 2.0 ambition essential

No.	Part No.	Description
1	416484501	THREAD TAKE UP LEVER COMPLETE
3	416116001	E-RING(ETW-3)
6	416121501	SET SCREW(M4×8A)
7	416484501	ARM SHAFT BALANCE PIN COMPLETE
12	416576801	ARM SHAFT BUSHING
13	416576901	ARM SHAFT BUSHING
19	416577101	ARM SHAFT COLLAR
20	416680701	SPRING PIN(□3×30)
21	416542201	SPACER
22	416577201	ARM SHAFT
25	270 D5A0573003	ARM SHAFT CLUTCH ANNULUS SPRING
26	416680801	ARM SHAFT DRIVE BELT PULLEY
27	416476501	HAND WHEEL
29	416307201	CLUTCH SLEEVE
31	416685701	BELT
34	416476401	PHOTO SENSOR PLATE
35	416121001	SET SCREW(M4×5C)
37		ARM
38	416147301	BASE PLATE ADJUSTMENT SCREW SPRING
39	416154601	BASE PLATE ADJUSTMENT SCREW
40	68003263	FREE ARM BASE CUSHION RUBBER
43	68012007	FREE ARM BASE CUSHION RUBBER
45	416577301	INSULATING SLICE

PARTS NOT AVAILABLE

4	416162201	THREAD TAKE UP LEVER SUPPORTER SHAFT
2		THREAD TAKE UP LEVER SUPPORTER
5	416522601	SET WASTER
8	416566401	ARM SHAFT BALANCE
9	416122101	SET SCREW (M4×6C)
10	416117701	ARM SHAFT BALANCE PIN(□3.5×24)
11	416126501	NUT(M4 T=3)
14	416125101	ENDURE ATTRITION WASHER
15	416133201	ROTARY SENSOR COLLAR
16	416577001	SHANK CAM(2)
17	416680301	MOTOR DRIVE BELT
18	416680201	ARM SHAFT SPROCKET
23	270 D3A0043002	ARC WASHER
24	416129601	REVOLUTION CONTROL PANEL
28	416680401	SPRING PIN(□3×28)
30	416680501	E-RING(ETW-8)
32	416116501	E-RING(ETW-9)
33	416117601	SPRING PIN(□3×18)
36	416524701	ENDURE ATTRITION WASHER(□6.2×□12×0.25)
41	416476601	FREE ARM BASE CUSHION
42	416679301	SET SCREW(M5×10)
44	416679501	SET SCREW(M4×8)

B



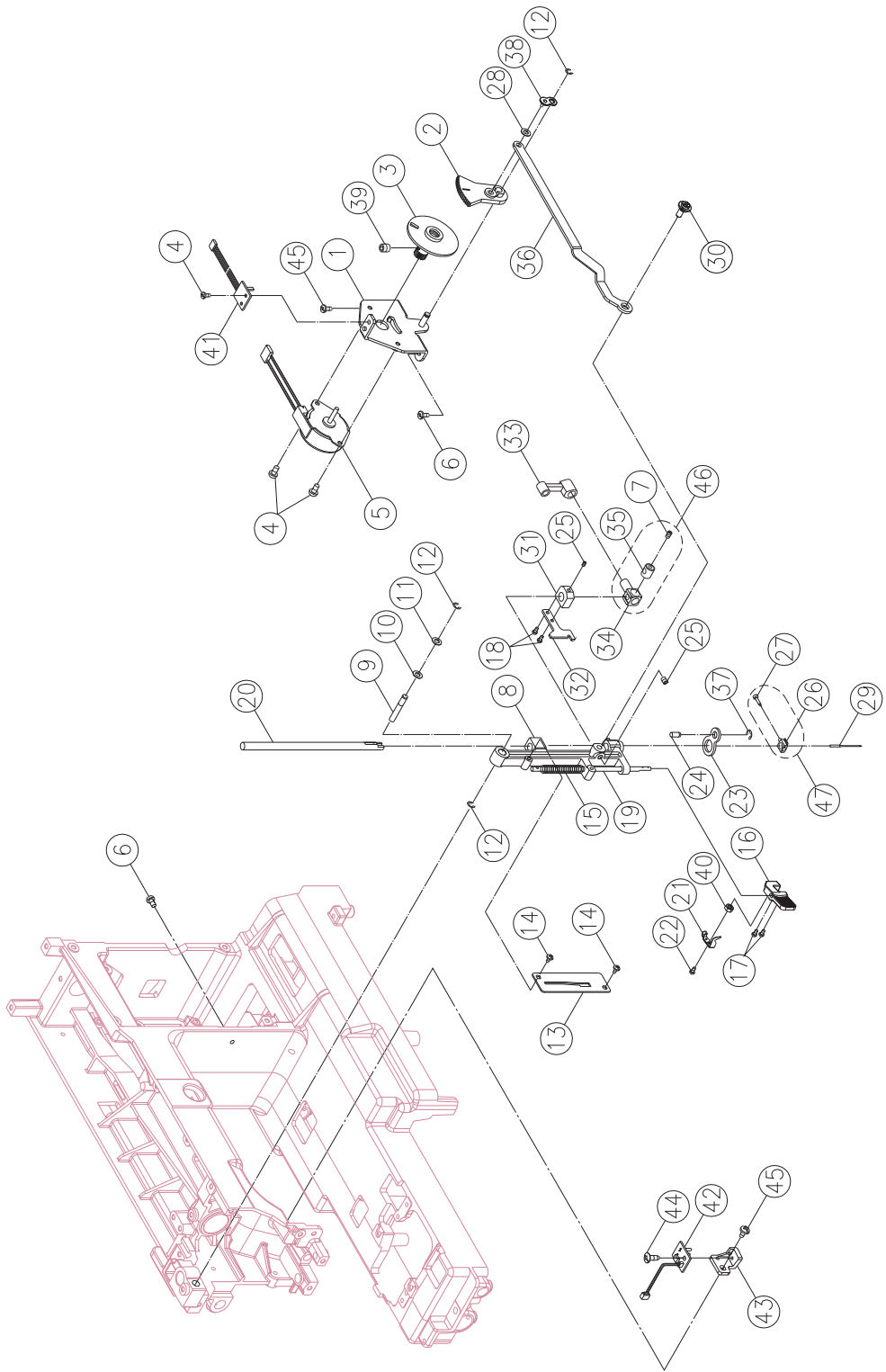
PFAFF Ambition 1.0 Quiltambition 2.0 ambition essential  
Description

No.	Part No.	Description
6	416476801	PRESSER BAR
8	416477001	SHANK COMPLETE
9	820773096	ALL PURPOSE FOOT
10	416430601	SET SCREW(M3×0.5)
12	416116001	E-RING(ETW-3)
13	416405801	PRESSER BAR LIFTER SPACER
15	416124101	WASHER(□4×□8×0.8)
27	416578201	DUAL FEED SHANK
28	416477601	SHANK SPRING
29	416578301	FEED CRANK
32	416578501	FEED CRANK
35	416125901	WASHER(□6.2×□9.6×0.5)
38	416121501	SET SCREW(M4×8A)
48	416477901	PRESSER BAR LIFTER LEVER
49	416477901	SET SCREW(M4×18B)
52	416478001	PRESSER BAR LEVER MICRO SWITCH
53	416119101	SET SCREW(M2×7.5)
56	416121001	SET SCREW(M4×5C)
59	416116001	E-RING(ETW-3)
60	416484001	DUAL FEED SHANK COMPLETE

PARTS NOT AVAILABLE

1	416476701	PRESSER BAR SET SCREW
2	416577401	PIN
3	416146901	PRESSER BAR SPRING
4	416577501	PRESSER BAR BRACKET
5	270 004250203	SET SCREW(M5×5C)
7	416476901	PRESSER BAR RING
11	416477101	SET SCREW(M3×6C)
14	416682201	WASHER(□4×□8×0.5)
16	416406001	FEED LEVER
17	416406101	FEED ROD CRANK
18	416406001	FEED LEVER PIN
19	416577801	FEED ROD
20	416121201	SET SCREW(M4×6B)
21	416577901	FEED SUPPORTER
22	416578001	SHANK LEVER COMPLETE
23	416406501	SPRING
24	416477301	SHANK OF DELIVER CLOTH FOOT
25		SPRING PIN(□2×L7)
26	416578101	PRESSER BAR BRACKET PLATE
30	416407201	FEED ROD
31	416578401	FEED LEVER COMPLETE
33	416578601	FEED ROCK BUSHING
34	416477701	FEED SHAFT
36	416122401	SET SCREW(M4×4C)
37	416578701	FEED COLLAR
39	416578801	FEED CRANK
40	416578901	FEED ROD
41	416579001	PIN
42	416579101	PIN(1)
43	416579201	FEED SHAFT
44	416407701	SPRING
45	416579401	FEED CRANK
46	416116301	E-RING(ETW-5)
47	416477801	PRESSER BAR LIFTER LEVER SPACER
50	416579501	PLATE
51	416579601	TENSION LEVER LIFTER SCREW
54	416120001	SET SCREW(M3×3C)
55	416122101	SET SCREW(M4×6C)
57	416586601	TENSION LEVER LIFTER
58	416579701	ELECTRIC WIRE PRESS BOARD
61	416484101	FEED SUPPORTER COMPLETE

C





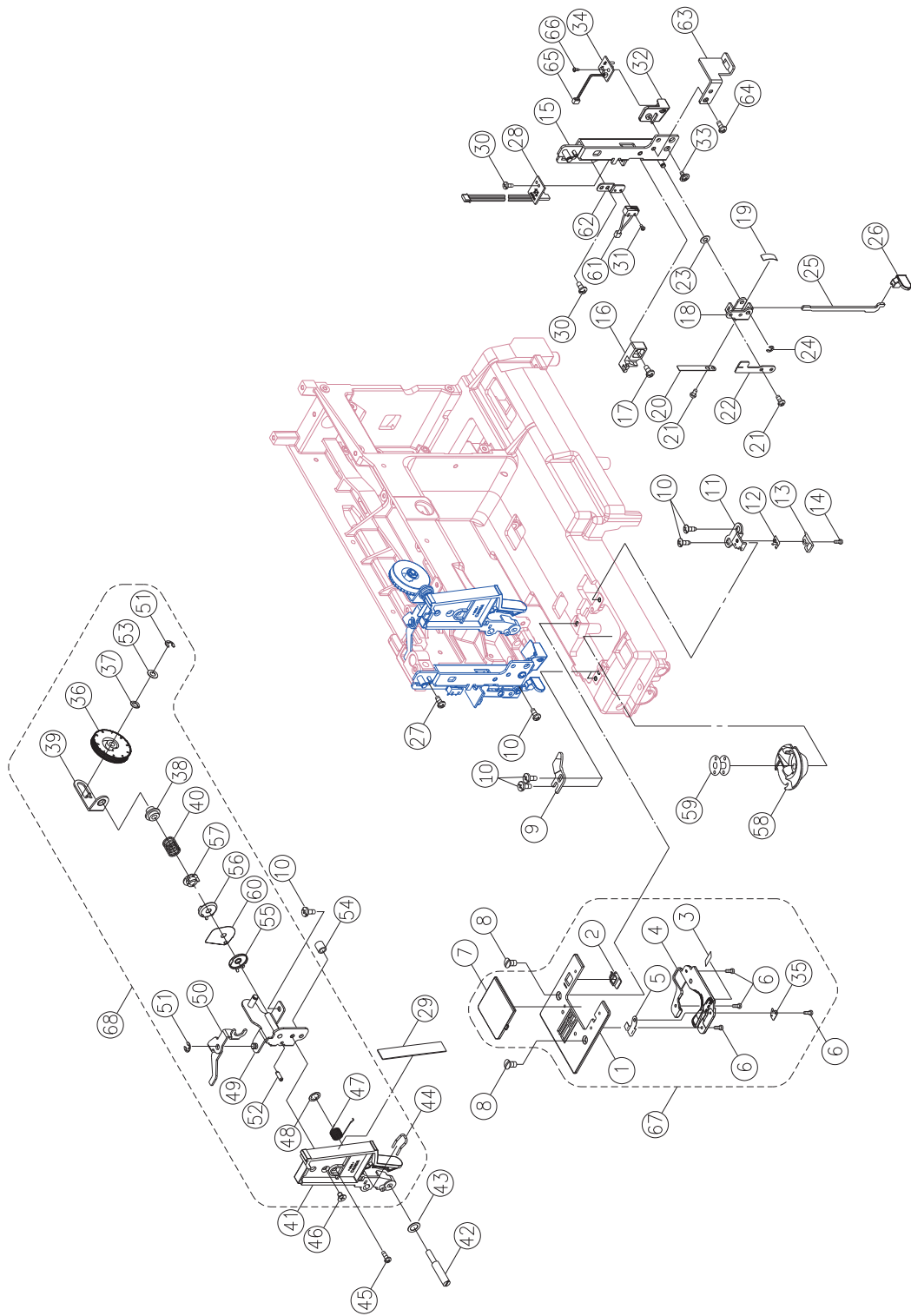
PFAFF Ambition 1.0 Quiltambition 2.0 ambition essential

No.	Part No.	Description
3	270 R1A1394000	PULSE MOTOR GEAR COMPLETE
5	416303901	PULSE MOTOR
6	416121501	SET SCREW(M4×8A)
8	416579901	NEEDLE BAR SUPPORTER
10	416186901	WASHER(WW-6)
14	416119201	SET SCREW(M3×6A)
16	416580201	THREADING PLATE
17	416408801	SET SCREW(M2×4B)
18	416184401	SET SCREW(M2×4)
20	416173601	NEEDLE BAR
21	416409701	THREADING
22	416411101	SET SCREW(M2×3.5)
23	416682401	NEEDLE BAR SUPPORTER
25	416184601	SET SCREW(M3×4C)
26	416613201	NEEDLE CLAMP
27	416613201	NEEDLE CLAMP SET SCREW
29		NEEDLE(#80)
30	416801101	NEEDLE BAR DRIVING ROD PIN
33	416235801	NEEDLE BAR CRANK ROD
34	416150801	NEEDLE BAR BRACKET(1)
35	416150801	NEEDLE BAR BRACKET(2)
36	416580501	NEEDLE BAR DRIVING ROD
37	416116101	E-RING(ETW-4)
41	416478201	ZIGZAG PHOTO SENSOR PLATE
42	416478301	LED LIGHT LAMP COMPLETE
46	416150801	NEEDLE BAR BRACKET COMPLETE
47	416613201	NEEDLE CLAMP COMPLETE
#1	68006079	PULSE MOTOR COMPLETE

PARTS NOT AVAILABLE

1	416580601	ZIGZAG PULSE MOTOR PLATE
2	416579801	ZIGZAG CRANK GEAR
4	416569401	SET SCREW(M3×0.5×4A)
7	416122401	SET SCREW(M4×4C)
9	416189301	NEEDLE BAR SUPPORTER PIN
11	416185801	WASHER(□6.5×□13×1)
12	416116201	E-RING(ETW-4)
13	416580001	THREADING GUIDE
15	416580101	THREADING SHAFT SPRING
19	416740501	THREADING SHAFT
24		NEEDLE BAR SUPPORTER PLATE PIN
28	416186201	WASHER(□5.2×□10×0.2)
31	416189601	THREADING STOPPER
32	416478101	THREADING STOP HOLDER
38	270 P3C0123002	NEEDLE BAR DRIVING ROD PLATE
39	416120001	SET SCREW(M3×3C)
40	416409801	NUT(M2 T=1.6)
42	416630901	LED LIGHT LAMP COMPLETE FOR ambition essential
43	416580701	LED HOLDER (RIGHT)
44	270 004230082	SET SCREW(M3×6B)
45	416121201	SET SCREW(M4×6B)
48	416409401	PIN(□2×16)
49	416740601	NEEDLE CLAMP GUIDE

D



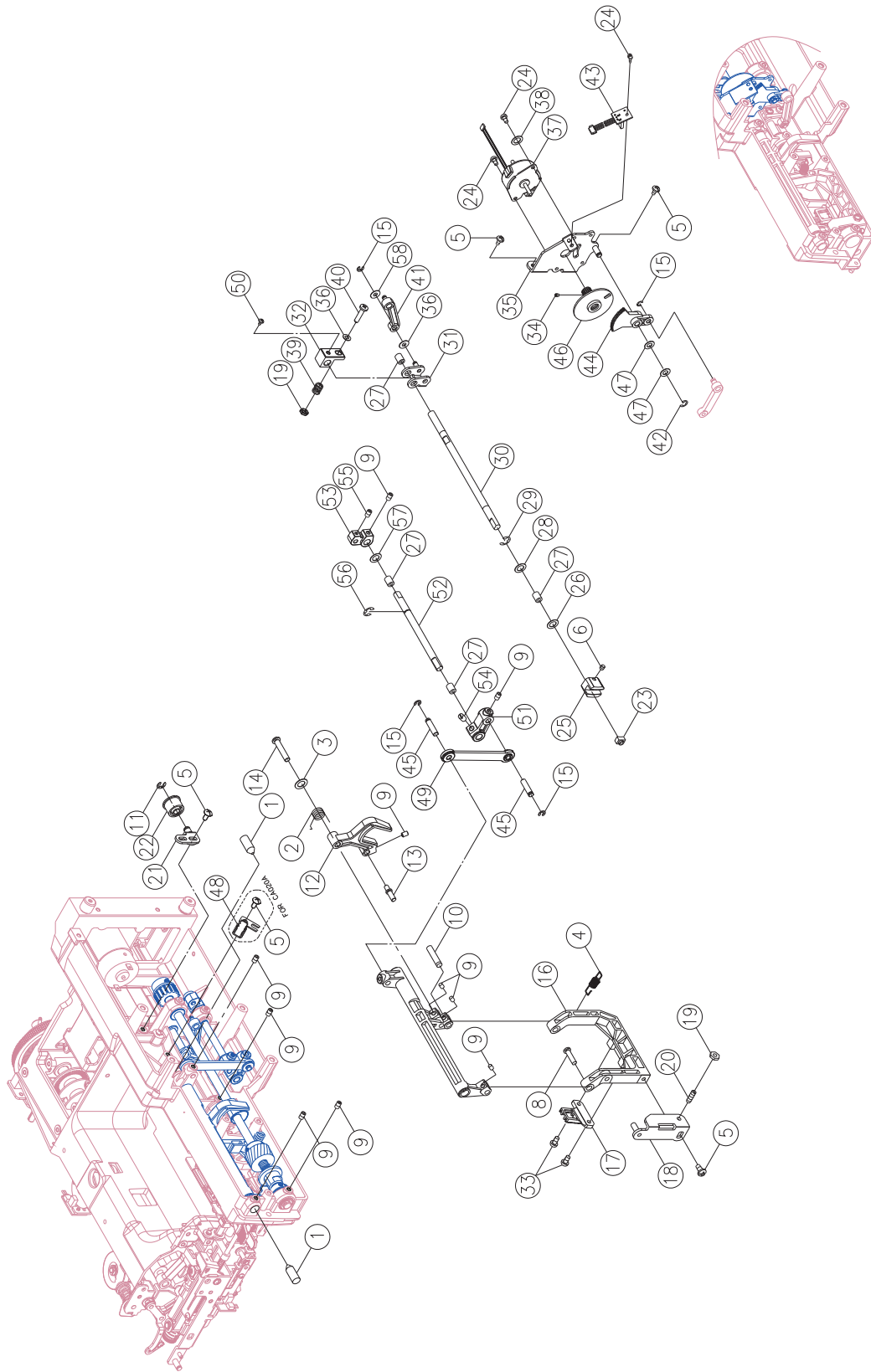
PFAFF Ambition 1.0 Quiltambition 2.0 ambition essential  
Description

No.	Part No.	Description
1	416479101	NEEDLE PLATE
2	416155201	NEEDLE PLATE COVER OPEN
3	416172501	THREAD CUTTER
5	416147501	NEEDLE PLATE SPRING
7	416479101	NEEDLE PLATE COVER
8	416122901	SET SCREW(M4×6)
9	416144001	ROTARY HOOK PLATE
11	416687801	ROTARY HOOK PLATE(2)
12	416143901	ROTARY HOOK PLATE SPRING(2)
13	416143901	ROTARY HOOK PLATE SPRING(1)
14	416119001	SET SCREW(M2×2.5)
19	416310401	BH SPRING PLATE
24	416116001	E-RING(ETW-3)
25	416642901	BH LEVER
27	416121501	SET SCREW(M4×8A)
28	416478701	PHOTO SENSOR COMPLETE
29	416826801	DIAL TENSION SUPPORTER PLATE COVER FOR quilt ambition 2.0
31	416119101	SET SCREW(M2×7.5)
34	416484601	LED LAMP PLATE
38	416153801	DIAL TENSION REGULATOR
39	416581301	DIAL TENSION SPRING PLATE
40	416826901	DIAL TENSION SPRING
41	416581401	DIAL TENSION SUPPORTER PLATE COVER
44	416198701	THREAD GUIDE
45	416121701	SET SCREW(M4×15B)
46	416121901	SET SCREW(M4×6)
47	416162601	THREAD GUIDE SPRING
48	416116801	CS-RING(CSTW-4.5)
51	416116101	E-RING(ETW-4)
58	416827001	SHUTTLE HOOK COMPLETE
59	416475801	BOBBIN
64	416226601	SET SCREW(M4×5B)
65	416582301	LED LAMP LINE(1) FOR ambition 1.0/quilt ambition 2.0 / Sewing head
65	416631101	LED LAMP LINE (1) FOR ambition essential / Sewing head
67	416479101	NEEDLE PLATE COMPLETE (□)
71	416479301	DIAL TENSION SUPPORTER PLATE COMPLETE

PARTS NOT AVAILABLE

4		NEEDLE PLATE SUPPORTER
6	270 0042200016	SET SCREW(M2×3)
10	416121201	SET SCREW(M4×6B)
15	416580901	BH LEVER PLATE COMPLETE
16	270 P3C0203209	BH MOVEMENT CRANK
17	416408101	SET SCREW(M3×6)
18		BH LEVER CRANK COMPLETE
20		BH LEVER CRANK SPRING
21	270 004230056	SET SCREW(M3×5B)
22	416569801	PHOTO PLATE
23	416682201	WASHER(□4×□8×0.5)
26	416581001	BH LEVER BUTTON
29	416479401	DIAL TENSION SUPPORTER PLATE COVER FOR ambition 1.0
29	416631001	DIAL TENSION SUPPORTER PLATE COVER FOR ambition essential
30	416569401	SET SCREW(M3×0.5×4A)
32	416701001	LED HOLDER
33	416686701	SET SCREW(M3×5)
35	416581201	PLATE
35	416581201	PLATE
36	416478801	DIAL TENSION KNOB
37	416126001	WASHER(WW-5)
42		SET SCREW(M4×37)
43		DIAL TENSION WAFT TRIMMING PLATE
49		DIAL TENSION SUPPORTER PLATE
50	416581601	DIAL TENSION WAFT PLATE
52	416117501	PIN(□3×10)
53	416124501	WASHER(□5.2×□10×0.5)
54	416151701	DIAL TENSION GUIDE SPRING TUBE
55	416153601	DIAL TENSION DISC (1)
56	416146301	DIAL TENSION DISC
57	416412001	DIAL TENSION SPRING REGULATOR
60	416478901	DUAL THREAD GUIDE PLATE
61	416479001	BH MICRO SWITCH COMPLETE
62	416581701	DIAL TENSION KNOB
63	416582201	FACE PLATE
66	270 004230082	SET SCREW(M3×6B)
68	416569401	SET SCREW(M3×0.5×4A)
69	416306901	PULSE SUPPORT SPRING
70	416570101	SET SCREW(M3×16)

E



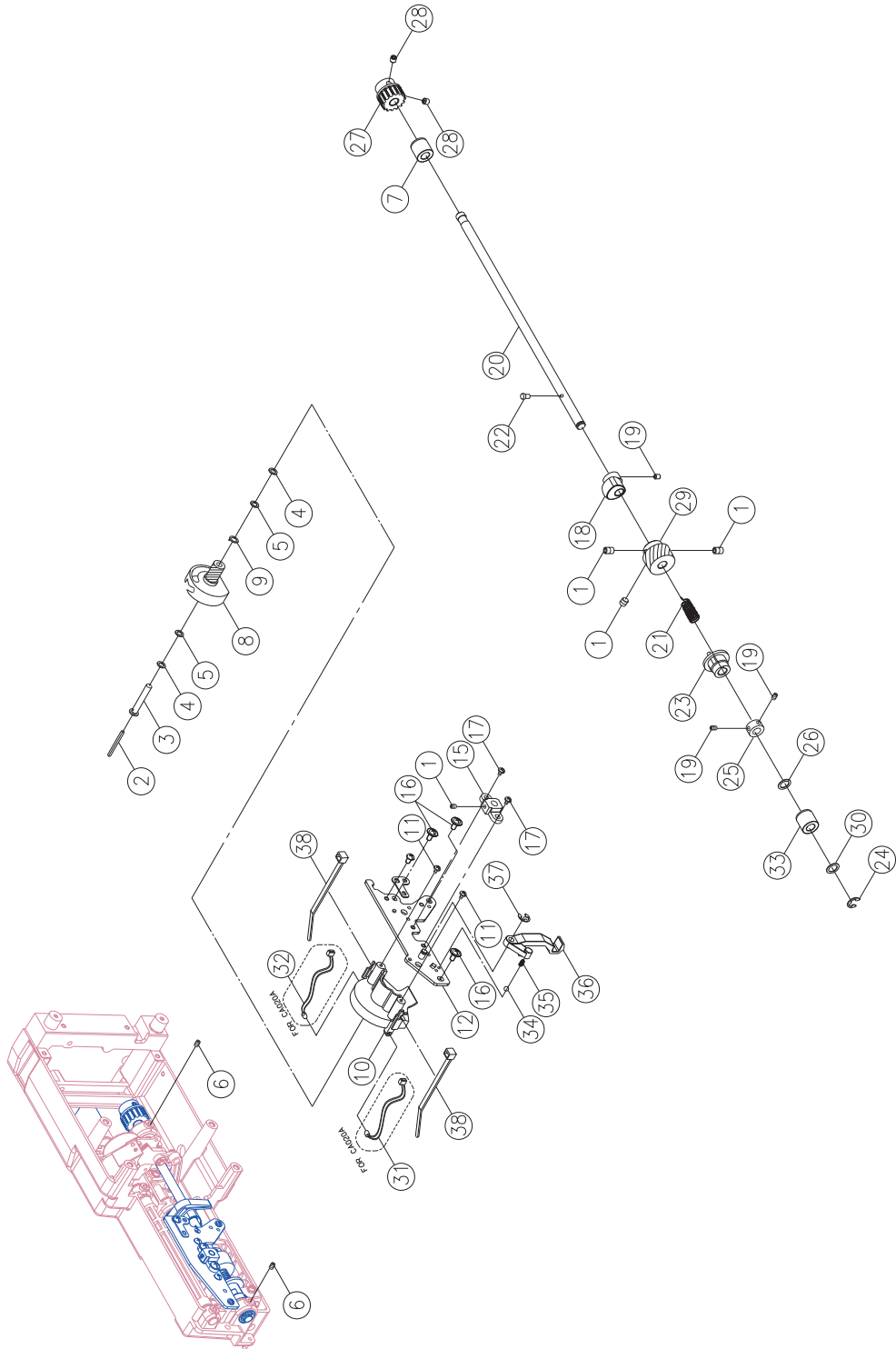
PFAFF Ambition 1.0 Quiltambition 2.0 ambition essential

No.	Part No.	Description
4	68003066	FEED DOG SPRING
5	416121501	SET SCREW(M4×8A)
11	416116101	E-RING(ETW-4)
12	416192401	FEED ROCK CRANK
13	416631301	REGULATING BLOCK SHAFT
15	416116001	E-RING(ETW-3)
16	416479501	FEED DOG SUPPORTER
17	416479601	FEED DOG
18	416683001	FEED LIFTING ROCK CRANK COMPLETE
19	416126801	ADJUSTING NUT(M4×P0.7)
21	416683801	BELT ADJUSTING PLATE
22	416683901	BELT ADJUSTING PLATE PULLEY
23	416356601	FEED REGULATING BLOCK
25	416356501	FEED REGULATING
26	416125601	ENDURE ATTRITION WASHER(□6.7×□11.8×0.5)
31	416582401	FEED REGULATING CRANK
35	416582501	PULSE SUPPORT PLATE
37	416303901	PULSE MOTOR
43	416582701	PHOTO SENSOR COMPLETE
46	270 R1A1394000	PULSE MOTOR GEAR COMPLETE
55	416583501	SET SCREW(M3×5C)

PARTS NOT AVAILABLE

1	416192801	FEED CRANK SHAFT
2	416683101	FEED ROCK CRANK SPRING
3	416186301	WASHER(□5.2×□12×1)
6	416122401	SET SCREW(M4×4C)
7		FEED ROCK SHAFT
8	416192101	FEED DOG SHAFT
9	416122101	SET SCREW(M4×6C)
10		ADJUSTING NUT(M4×0.7)
14	416192501	FEED ROCK SHAFT
20	416185501	SET SCREW(M4×0.7 L9)
24	416569401	SET SCREW(M3×0.5×4A)
27	416156901	FEED ROCK BUSHING
28	416124001	WASHER(□6.7×□12×1)
29	416116301	E-RING(ETW-5)
30	416582001	FEED REGULATING SHAFT
32	416631501	FEED CRANK
33	416185001	SET SCREW(M3.5×8A)
34	416120001	SET SCREW(M3×3C)
36	416595801	WASHER(□4.2×□10×0.5)
38		SET SCREW(M3×P0.5×3.5A)
39	416571701	FEED REGULATING CRANK SPRING
40	416123401	SET SCREW(M4×18)
41	270 D3A0943000	FEED ROCK ROD
42	416116201	E-RING(ETW-4)
44	270 P3C0243000	FEED ROCK CRANK GEAR
45	416582801	FEED ROCK ROD PIN
47	416186201	WASHER(□5.2×□10×0.2)
48	416582901	ELECTRIC WIRE PRESS BOARD FOR quilt ambition 2.0
49	416583001	FEED ROCK ROD COMPLETE
50	416595701	SET SCREW(M3×12)
51	416583101	FEED TRANSFER CRANK(1)
52	416583201	FEED TRANSFER SHAFT
53	416583301	FEED TRANSFER CRANK (2)
54	416631601	SET SCREW(M5×8C)
56	416116301	E-RING(ETW-5)
57	416583601	WASHER(□6.7×□11.8×0.25)
58	416185901	WASHER(□4.2×□9×0.5)

# F



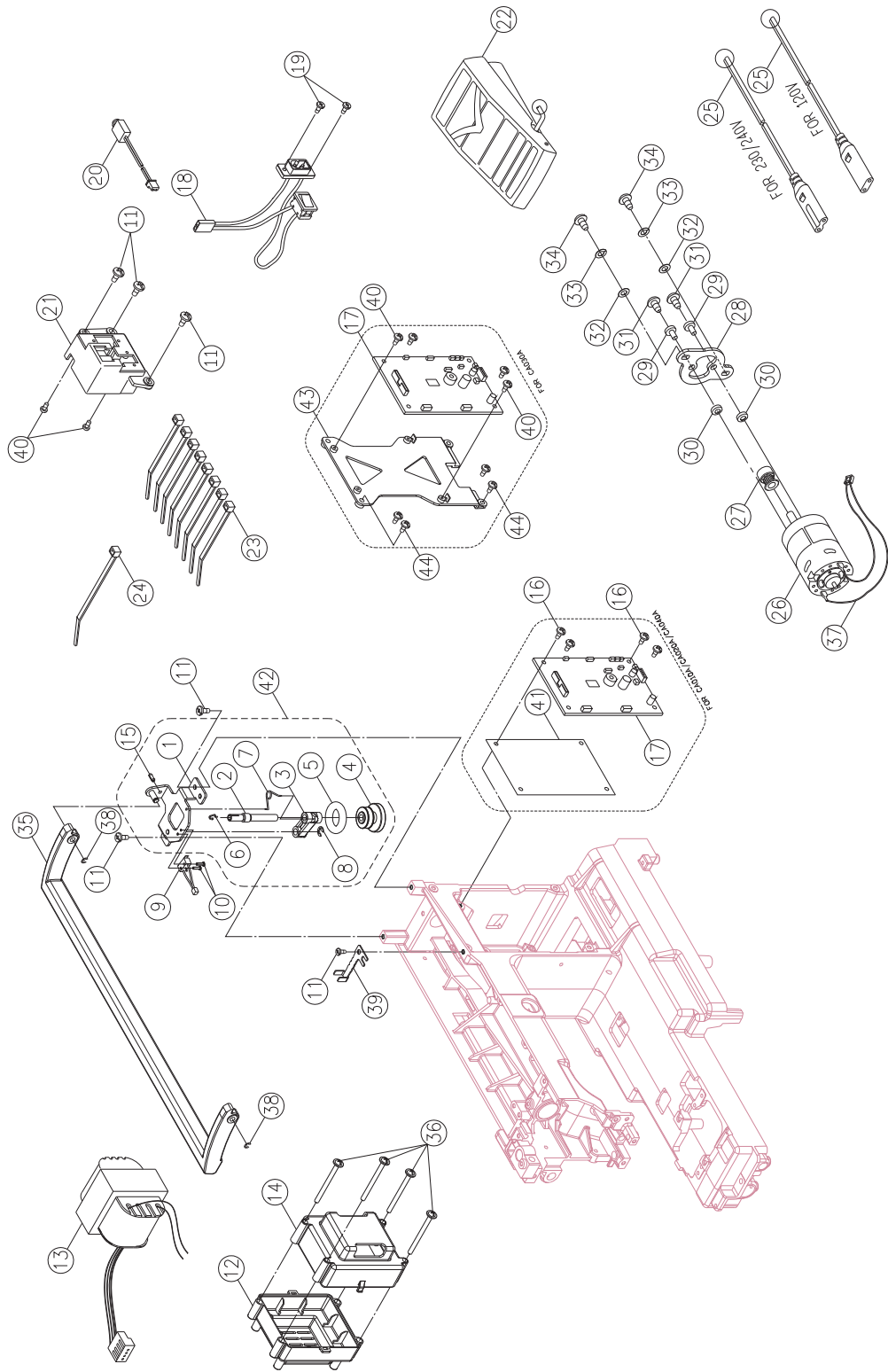
PFAFF Ambition 1.0 Quiltambition 2.0 ambition essential  
Description

No.	Part No.	Description
1	416121001	SET SCREW(M4×5C)
2	416155801	BOBBIN SHAFT OIL CLOTH
3	416145401	BOBBIN SHAFT
4	416155601	BOBBIN SHAFT WASHER(2)
5	416125901	ENDURE ATTRITION WASHER(□6.2×9.6×0.5)
8	416479801	SHUTTLE HOOK HOLDER
17	416121501	SET SCREW(M4×8A)
18	416631701	FEED ROCK CAM
21	416191401	LOWER SHAFT SPRING
22	416191401	FEED LIFTING ROCK COM PIN
23	416191201	FEED LIFTING ROCK CAM
25	270 V11553003	LOWER SHAFT COLLAR
29	416197201	LOWER SHAFT GEAR
34	416415501	BALL
36	416480001	TOOTH LEVER ARM

PARTS NOT AVAILABLE

6	416122101	SET SCREW(M4×6C)
7	416141701	LOWER SHAFT BUSHING
9	416155701	BOBBIN SHAFT WASHER(3)
10	416583701	SHUTTLE HOOK COVER
11	416119501	SET SCREW(M3×12)
12	416572401	ROTARY HOOK HOLDER
13	416116201	E-RING(ETW-4)
14	270 002030129	CORD CLIP(L=12)
15	416143401	ROTARY HOOK SUPPORTER
16	416679501	SET SCREW(M4×8)
19	416122401	SET SCREW(M4×4C)
20	416583801	LOWER SHAFT
24	416116401	E-RING(ETW-6)
26	416125801	ENDURE ATTRITION WASHER(□8.2×□12×0.5)
27	270 H1A0463000	LOWER SHAFT BELT PULLEY
28	270 004250203	SET SCREW(M5×5C)
30	416186501	WASHER(□8.2×□12×0.5)
31	416479901	ROW LINE(RECEIVE)FOR quilt ambition 2.0
32	416479902	ROW LINE(RECEIVE) FOR quilt ambition 2.0
33	416583901	LOWER SHAFT BUSHING
35	416415401	SPRING

G





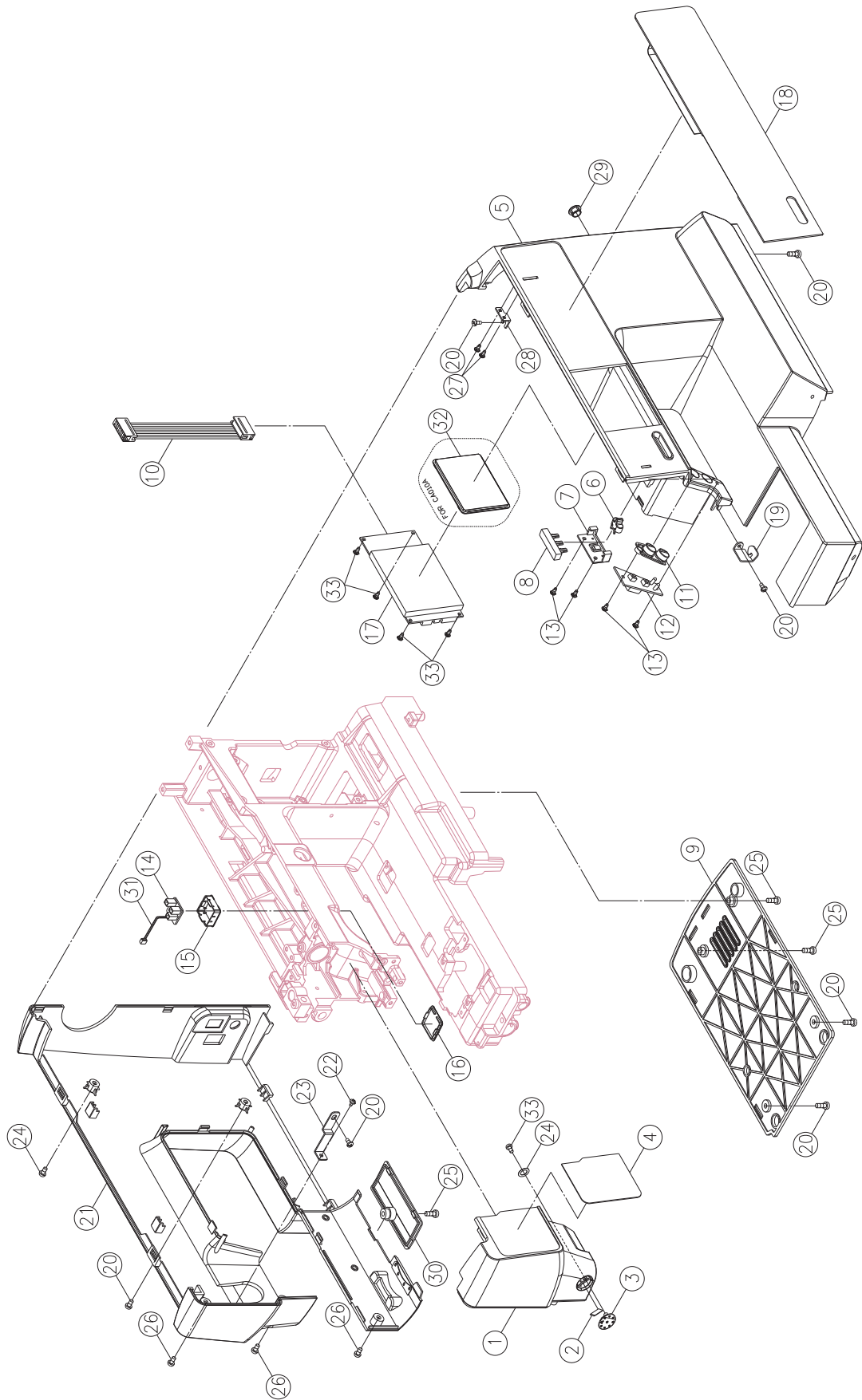
PFAFF Ambition 1.0 Quiltambition 2.0 ambition essential

No.	Part No.	Description
1	416480801	BOBBIN WINDER PLATE
5	416149201	BOBBIN WINDER RUBBER PULLEY
6	270 F20193000	BOBBIN WINDER CRANK SPRING
9	416480101	MICRO SWITCH
10	416119101	SET SCREW(M2×0.4×7.5)
11	416121501	SET SCREW(M4×8A)
12	416827101	TRANSFORMER BOX(1) FOR ambition 1.0/quilt ambition 2.0
13	416480201	TRANSFORMER FOR 230V/ ambition 1.0/quilt ambition 2.0
13	416480202	TRANSFORMER FOR 120V/ ambition 1.0/quilt ambition 2.0
13	416151301	TRANSFORMER FOR 230V/ ambition essential
13	416115801	TRANSFORMER FOR 120V/ ambition essential
13	416151301	TRANSFORMER FOR 240V/ ambition essential
16	416121701	SET SCREW(M4×15B) FOR ambition 1.0/quilt ambition 2.0
17	416480301	MAIN CIRCUIT BOARD FOR ambition 1.0
17	416632001	MAIN CIRCUIT BOARD FOR ambition essential
17	416827201	MAIN CIRCUIT BOARD FOR quilt ambition 2.0
18	416480401	SWITCH RECEPTACLE ASS'Y FOR 220V-240V
18	416480402	SWITCH RECEPTACLE ASS'Y FOR 120 V
19	416482501	SET SCREW(M3×8B)
20	416480501	CONTROLLER RECEPTACLE
21	416632101	RECEPTACLE HOLDER
22	68006114	FOOT CONTROLLER
25	416419802	POWER CORD (120V) FOR U.S.A.
25	416419702	POWER CORD (230V) FOR BRAZIL
25	416420002	POWER CORD (240V) FOR EU.
25		POWER CORD FOR U.K
25		POWER CORD FOR SAA
26	68003801	DC MOTOR COMPLETE
28	270 H1A0303006	MOTOR BRACKET
29	416419001	INSULATION SPACER
30	416418901	INSULATION SPACER
31	416120201	SET SCREW(M3×10)
35	416480701	HANDLE
36	416584701	SET SCREW(M4×50)
38	416116101	E-RING(ETW-4)

PARTS NOT AVAILABLE

2	416584101	BOBBIN WINDER CRANK
3	416584201	BOBBIN WINDER CRANK
4	416631801	BOBBIN WINDER PULLEY
7	416631901	BOBBIN WINDER CRANK SPRING
8	416116301	E-RING(ETW-5)
12	416136701	TRANSFORMER BOX(1) FOR ambition essential
13	416480203	TRANSFORMER FOR 240V/ ambition 1.0/quilt ambition 2.0
14	416584501	TRANSFORMER BOX(2) FOR ambition 1.0/quilt ambition 2.0
14	416136801	TRANSFORMER BOX(2) FOR ambition essential
15	270 003043008	SPRING PIN(□3×8)
23	270 002030129	CORD CLIP(L=12)
24	416115501	CORD CLIP(L=20)
27	416632201	DC MOTOR LEAD CORD
32	416124301	WASHER(□5.4×□10×0.9)
33	416126201	SPRING WASHER(□5.1×□9.2×1.3)
34	416224801	SET SCREW(M5×12)
37		INSULATING SLICE
39	416584901	ELECTRIC WIRE PRESS BOARD
40	270 004230216	SET SCREW(M3×8.5)
41		INSULATING SLICE FOR ambition 1.0/quilt ambition 2.0
43	416632301	MAIN CIRCUIT BOARD HOLDER FOR ambition essential
44	4161211011	SET SCREW(M4×10B) FOR ambition essential
45		INSULATION SLEEVE

# H



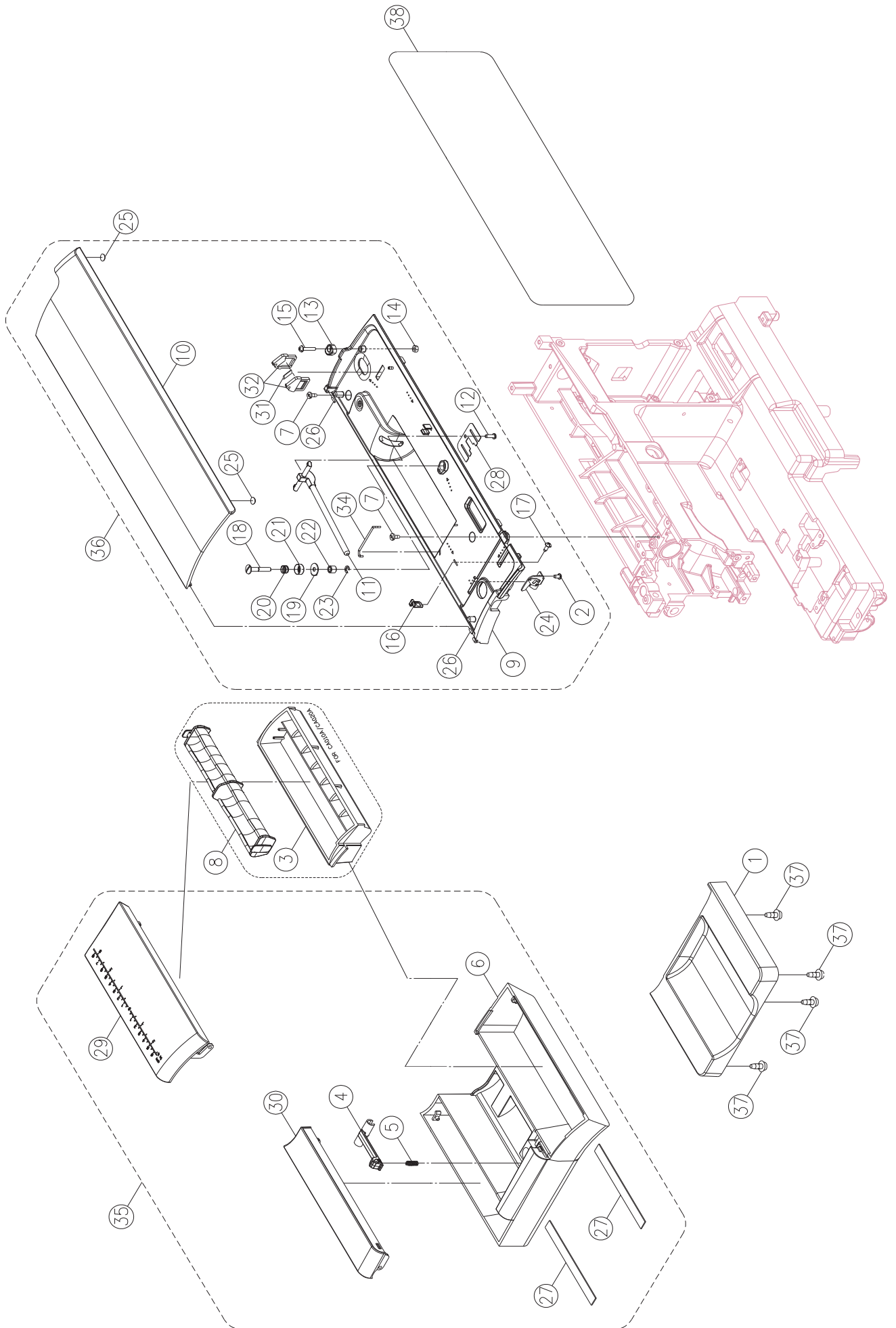
PFAFF Ambition 1.0 Quiltambition 2.0 ambition essential

No.	Part No.	Description
1	416480901	FACE COVER
2	416172501	THREAD CUTTER
3	416481001	FACE CUTTER PLATE
4	416481101	FACE PANEL FOR ambition 1.0
4	416827301	FACE PANEL FOR quilt ambition 2.0
5	416481201	FRONT COVER FOR ambition 1.0
5	416827401	FRONT COVER FOR quilt ambition 2.0
10	416497901	ROW LINE
11	416481701	START/STOP REVERSE PUSH BUTTON
12	416481801	START/STOP REVERSE CIRCUIT BOARD
14	416484701	LED LAMP PLATE
17	416497801	LCD KEY PLATE FOR ambition 1.0
17	416514801	LCD KEY PLATE FOR quilt ambition 2.0
18	416482001	PLATE FOR ambition 1.0
18	416827601	FRONT PANEL COMPLETE FOR quilt ambition 2.0
19	416585201	ARM TOP COVER THREAD GUIDE PLATE
20	416121501	SET SCREW(M4×8A)
23	416585301	BACK PLATE
25	416121601	SET SCREW(M4×12B)
29	416311001	CAPS
30	416482301	FREE ARM BASE
31	416585401	LED LAMP LINE / PCB
33	416632701	SET SCREW(M2.5×5)

PARTS NOT AVAILABLE

6	416481301	SLIDE VOLUME LEVER
7	416307001	SLIDE VOLUME KNOB CONNECTOR
8	416481501	SLIDE VOLUME
9	416632901	CORD REEL COVER
13		SET SCREW(M3×8)
15	416585001	LIGHT CASE
16	416585101	LIGHT COVER
21	416482102	BACK COVER FOR 220V-240V
21	416482101	BACK COVER FOR 120V
22	270 004230216	SET SCREW(M3×8.5)
24	416633501	WASHER(□3.2×□6×0.5)
26	416122201	SET SCREW(M4×10B)
27	270 004230086	SET SCREW(M3×6B)
28	416306501	FRONT PLATE
32		LCD PLASTIC COVER FOR ambition 1.0

I



PFAFF Ambition 1.0 Quiltambition 2.0 ambition essential  
Description

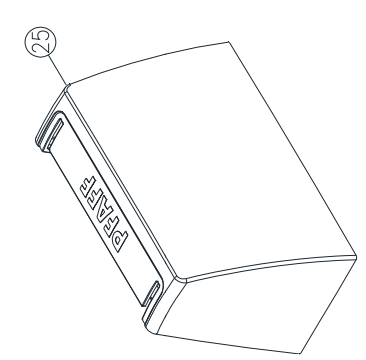
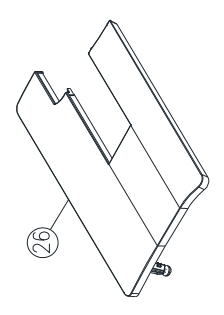
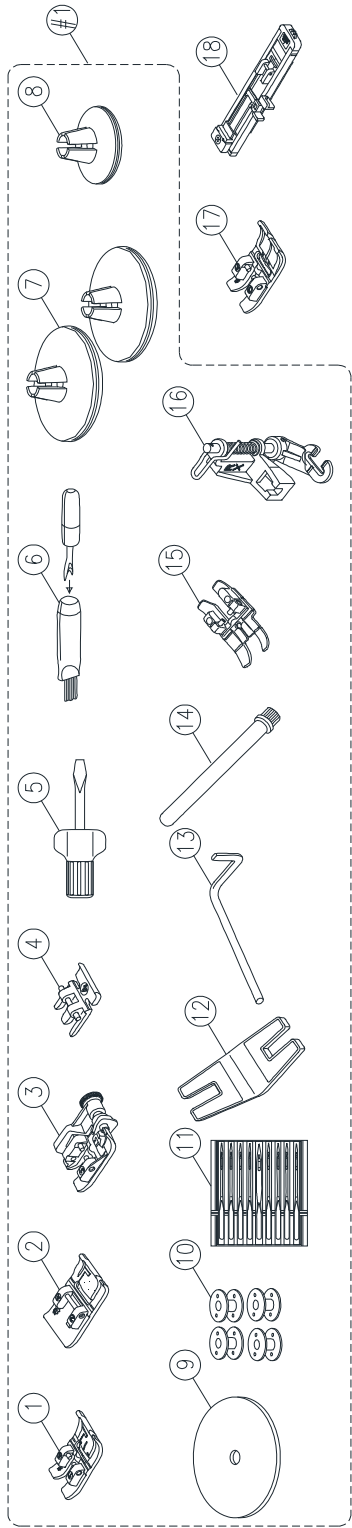
No.	Part No.	Description
2	416482501	SET SCREW(M3×8)
3	416585701	ACCESSORIES FOOT FOR ambition 1.0/quilt ambition 2.0
7	416121601	SET SCREW(M4×12B)
8	416586101	BOBBIN FOOT FOR ambition 1.0/quilt ambition 2.0
10	416482601	TOP COVER
11	416482701	SPOOL ROD
16	416145501	THREAD GUIDE
18	416148101	BOBBIN WINDER THREAD GUIDE ADJUSTING
19	416804901	BOBBIN WINDER THREAD GUIDE
20	416148101	BOBBIN WINDER THREAD GUIDE SPRING
21	416148101	BOBBIN WINDER SPRING DISC
22	416148101	SPACER
23	416116001	E-RING(ETW-3)
31	416172501	THREAD CUTTER
35	416633801	SEWING TABLE COMPLETE FOR ambition essential
36	416483101	TOP PLATE COMPLETE
38	416827701	STICKER FOR quilt ambition 2.0

PARTS NOT AVAILABLE

99		TOP PLATE
1	416482401	FREE ARM FOOT BUSH
4	416585801	SEWING TABLE BODY GUIDE
5	416585901	SEWING TABLE BODY GUIDE SPRING
6	416586001	SEWING TABLE BODY
12	270 004230216	SET SCREW(M3×8.5)
13	416586201	BOBBIN WINDER STOPPER
14	416302901	NUT(M3 T=2.)
15	416585601	SET SCREW(M3×12B)
17	416184801	SET SCREW(M3×8)
24		THREAD GUIDE COMPLETE
25	416688501	NOISE ELIMINATION CUSHION
26		TOP COVER PIN
27	416633701	SEWING TABLE BODY FELT
28	416482801	SPOOL PLATE
29		SEWING TABLE BODY COVER
30		SEWING TABLE BODY COVER
32	416586301	ROLL CUT
33		TOUCH PEN FOR quilt ambition 2.0
34	416586401	THREAD GUIDE
35	416483001	SEWING TABLE COMPLETE FOR ambition 1.0/quilt ambition 2.0
37	416120701	SET SCREW(M3×12)
38	416484901	STICKER FOR ambition 1.0
38		STICKER FOR ambition essential

J

# STANDARD ACCESSORIES



No.	Part No.	PFAFF Ambition 1.0 Quiltambition 2.0 ambition essential Description	
1	820774096	FANCY STITCHES FOOT	
2	413060501	FANCY STITCHES FOOT	
3	820256096	BLINDHEM FOOT	
4	820248096	ZIPPER FOOT	
5	412381501	SCREWDRIVER	
6	416691401	BRUSH/SEAM RIPPER	
7	412371102	SPOOL HOLDER (LARGE)	
8	412371101	SPOOL HOLDER (SMALL)	
9	412610701	FELT PAD	
10	821038096	BOBBIN	
11	620098796	PACK OF NEEDLE	
12	416483601	CLEARANCE PLATE	
13	416483701	EDGE/QUILTING GUIDE	FOR ambition 1.0/quilt ambition 2.0
14	416483801	SPOOL PIN	
15		1/4" INCH QUILTING FOOT	FOR quilt ambition 2.0
16		FREE MOTION OPEN TOE QUILTING FOOT	FOR quilt ambition 2.
17	820773096	ALL PURPOSE FOOT	
18	68006098	BUTTONHOLE FOOT (5B)	FOR ambition 1.0/quilt ambition 2.0
	416483201	BUTTONHOLE FOOT (5B)	FOR ambition essential
25	416488201	HARD CASE COMPLETE	